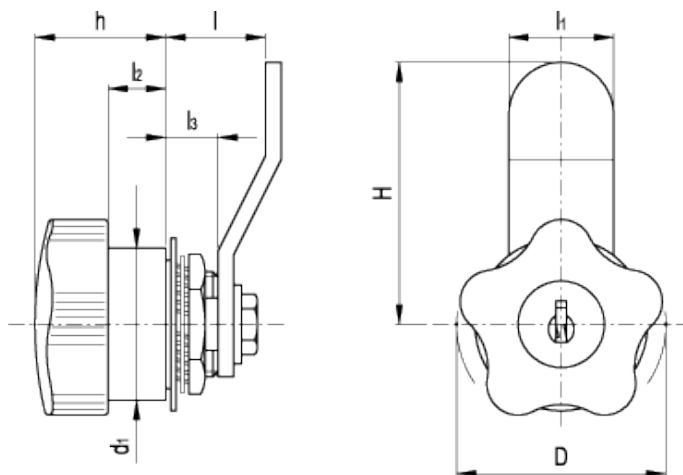


VC.309

Latch-type knobs with lock



ELESA Original design



technical informations

Knob

High-resilience polypropylene based (PP) technopolymer. Resistant to solvents, oils, greases and other chemical agents.

Colour

Black, matte finish.

Stator and rotor

Zamac.

Incorporated lock

Stainless steel front plate.
Movement of the knob at 90°.

Nut

Brass.

Spring washer

Zinc-plated steel.

Positioning washer

Zinc-plated steel, thickness 1.2 mm to be welded to the sheet of the door in case of thin thickness.

Closing lever

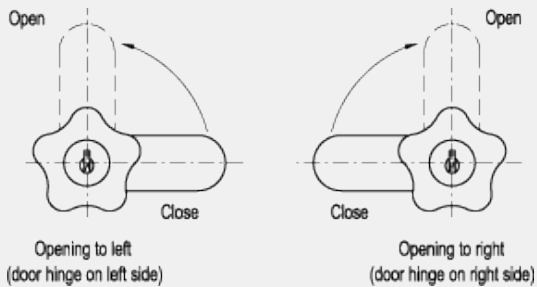
Zinc-plated steel.

Two keys

Nickel-plated brass, removable in two positions at 180° (locked and unlocked position).

Standard executions available

- D: opening to the right side
- S: opening to the left side
- VC.: lock with 400 different combinations. Each lock has a key with different combination.
- VC.U: lock with one combination. All locks have a key with the same combination.
- VC.M: lock with 160 different combinations and master-key. Each lock has a different combination and a key with different combination. Two master-keys, which open all of them, are supplied for every purchase order.
- VC.SS: without lock. The knob can be used for opening to the right or to the left side without distinction.

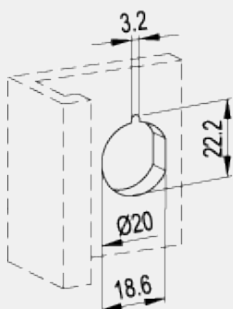


Special executions on request

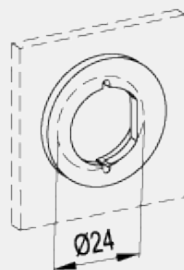
Threaded extension to position the closing lever when $l > 18$ mm.



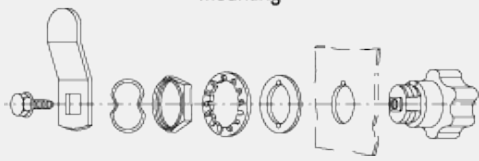
Drilling template for direct fitting



Positioning washer (standard accessory) to be welded to door (when this is too thin for direct fitting)
Ø 24 mm hole



Mounting



Standard Elements		Main dimensions								Weight
Code	Description	D	h	d ₁	l _{±0.5}	l ₁	l ₂	l ₃	H	g
68121	VC.309/40-D	40	25	29	18	20	11	10	48	146
68122	VC.309/40-S	40	25	29	18	20	11	10	48	146
68123	VC.309/40-UD	40	25	29	18	20	11	10	48	146
68124	VC.309/40-US	40	25	29	18	20	11	10	48	146
68125	VC.309/40-MD	40	25	29	18	20	11	10	48	146
68126	VC.309/40-MS	40	25	29	18	20	11	10	48	146
68131	VC.309/40-SS	40	25	29	18	20	11	10	48	115



ELESA and GANTER models all rights reserved in accordance with the law. Always mention the source when reproducing our drawings.

STANDARD MACHINE ELEMENTS WORLDWIDE